



# "BJT" SCREW TERMINAL BLOCKS

SECTION 4<sup>1\*</sup>

- Cable connection with pre-insulated crimp lugs.
- 2 types of MODULAR screw terminal blocks

Ⓐ Type 122000:  
Snap-on terminals and accessories mounted on metallic rails TYPE ①  
Terminals: M3 - M4 - M5  
0.1380-32 UNC - 0.1900-32 UNF -  
0.2500-28 UNF - 0.3750-24 UNF

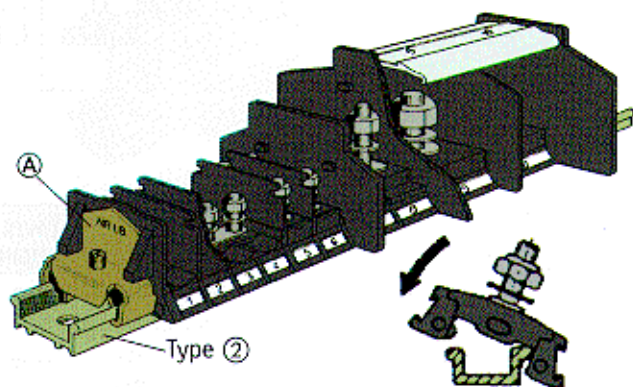
Ⓑ Type 41000:  
Snap-on terminals and accessories mounted on metallic rails TYPE ②. Terminals: M3 to M14  
6-32 UNC to 3/8-24 UNF

- 2 types of MONOBLOCK screw terminal blocks

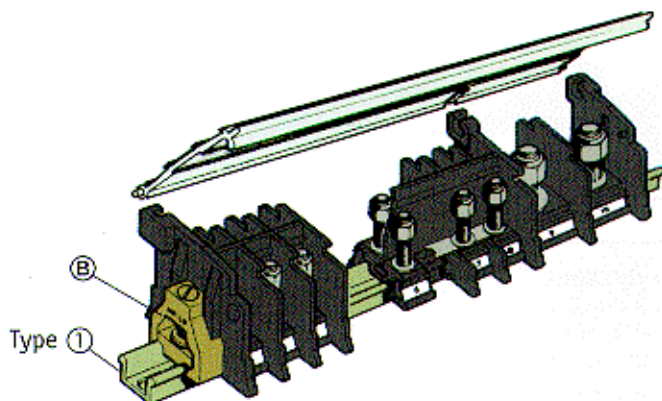
© Type 1300:  
Monoblock rail with terminal assemblies and crimped terminations on INOX metallic rail.  
Terminals: 0.1380-32 UNC - 0.1900-32 UNC -  
0.1900-32 UNF - 0.2500-28 UNF - 0.3750-24 UNF

Ⓞ Type 3240  
Moulded monoblocks with removable cover.  
2 to 12 terminals: 0.1900-32 UNF - 0.2500-28 UNF  
- 0.3750-24 UNF

Ⓐ TYPE 122000



Ⓑ TYPE 41000



All terminals have threaded protected steel rods to ensure a very high nut and stud coupling torque and reduce contact resistance and coupling temperature rise to the maximum. Nuts are self-locking.

## TECHNICAL DATA - TYPES 122000 and 41000

### ELECTRICAL

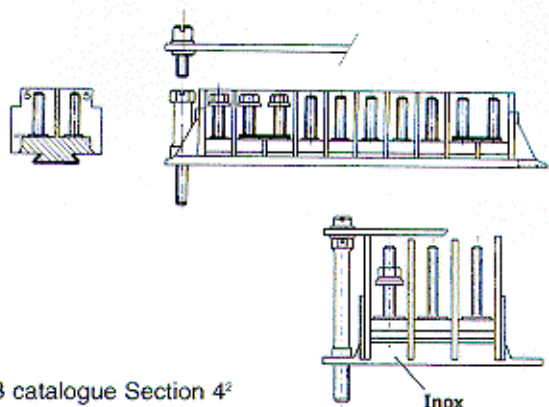
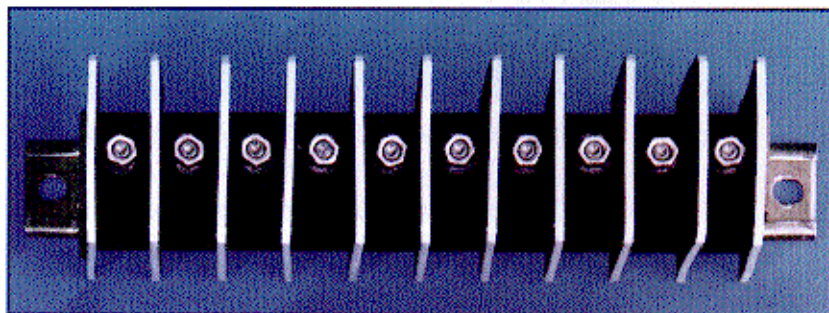
Section	: 0,6 to 150 mm <sup>2</sup>
Current	: 2 A to 300 A
Running voltage	: 380 to 600 V
Insulation resistance	: > 500 000 M Ω
Dielectric withstanding voltage	: > 5 KV
Operating temperature	: -40°C + 175°C

### MATERIALS

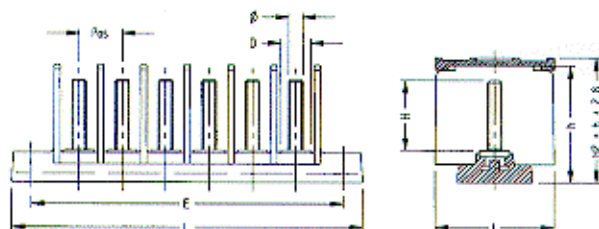
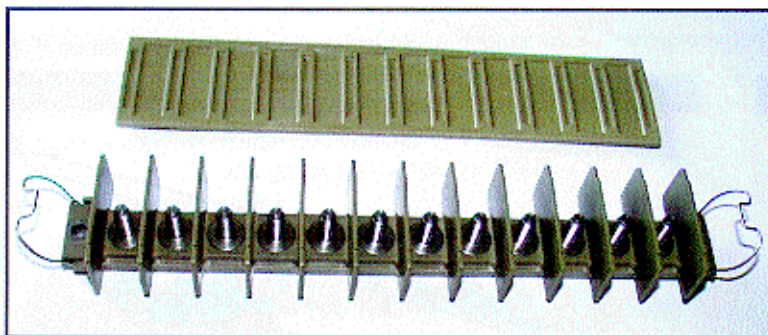
Insulation	: REQUIREMENT 3 according to NF F 16 102 Black thermoplastic
Rail	: Aluminum, bichromated cadmium plating
End-clamp	: Ⓐ Steel, bichromated cadmium plating, Ⓑ Aluminum, bichromated cadmium plating
Terminals	: Steel, bichromated cadmium plating



295 Kesmark  
Dollard-des-Ormeaux,  
Quebec, Canada H9B 3J1  
Tel.: (514) 421-2153  
Fax: (514) 421-3408  
[www.air-lb.ca](http://www.air-lb.ca)



■ Details and references for standard 2 to 12 terminal monoblock rails: AIR LB catalogue Section 4<sup>2</sup>



REFERENCE	QTY	Terminal pitch	O	D	H	E	I	h	LENGTH L	TERMINAL STRIP WEIGHT	COVER REFERENCE	COVER WEIGHT
3240 5024 314	2	14,5	.1900-32 UNF	10	23,8	46,2	40	39,6	59,2	43,9 g.	3240 1010 314	5,7 g.
3240 5034 314	3	14,5	.1900-32 UNF	10	23,8	46,2	40	39,6	73,7	55,4 g.	3240 1010 314	7,9 g.
3240 5064 314	6	14,5	.1900-32 UNF	10	23,8	104,2	40	39,6	117,2	90,1 g.	3240 1010 314	14,4g.
3240 5064 314	10	14,5	.1900-32 UNF	10	23,8	162,2	40	39,6	175,2	136,3 g.	3240 1010 314	23 g.
3240 5064 314	12	14,5	.1900-32 UNF	10	23,8	191,2	40	39,6	204,5	162,6 g.	3240 1010 314	27,9 g.
3240 6063 314	6	19,5	.2500-28 UNF	15	16,5	134,2	50	31,3	147,2	117,8 g.	3240 1011 314	21,2 g.
3240 6123 314	12	19,5	.2500-28 UNF	15	16,5	251,2	50	31,3	264,2	215,9 g.	3240 1011 314	42,6 g.
3240 5129 314	12	19,5	.2500-28 UNF	15	25	251,2	50	39,6	264,2	247,1 g.	3240 1011 314	42,6 g.
3240 6064 314	6	23,5	.2500-28 UNF	15	25	158,2	50	39,6	171,2	142,8 g.	3240 1008 314	26 g.
3240 8014 314	1	28	.3750-24 UNF	20	25	45,2	50	39,6	58,2	55,9 g.	3240 1007 314	6,9 g.
3240 8015 314	1	28	.3750-24 UNF	20	17,7	45,2	50	31,3	58,2	48,2 g.	3240 1007 314	6,9 g.
3240 8028 314	2	28	.3750-24 UNF	20	25	73,2	50	39,6	86,2	95,9 g.	3240 1007 314	11,2 g.
3240 8045 314	4	28	.3750-24 UNF	20	17,7	129,2	50	31,3	142,2	141,2 g.	3240 1007 314	22,4 g.
3240 8044 314	4	28	.3750-24 UNF	20	25	129,2	50	39,6	142,2	160,3 g.	3240 1007 314	22,4 g.
3240 8058 314	5	28	.3750-24 UNF	20	25	157,2	50	39,6	170,2	192,5 g.	3240 1007 314	27,6 g.

© TECHNICAL DATA - TYPE 1300

**ELECTRICAL**

Current : 25 A - 100A - 125 A - 250 A  
 Running voltage : 400 A - 600 VCA  
 Insulation resistance : 5.10<sup>8</sup> MΩ  
 Dielectric withstanding voltage : > 5 kV

**OPERATING TEMPERATURE** : -60°C +230° C

**MATERIALS**

Insulation : Polyetherketone/Teflon  
 Rail and accessories : Stainless steel

© TECHNICAL DATA - TYPE 3240

**ELECTRICAL**

Current : 100A - 125 A - 250 A  
 Running voltage : 600 VCA  
 Insulation resistance : 5.10<sup>8</sup> MΩ  
 Dielectric withstanding voltage : > 5 kV

**OPERATING TEMPERATURE** : -60°C +210° C

**MATERIALS**

Insulation : Thermoplastic ATS 1000 UL Vo  
 Terminals - screws : Steel, bichromated cadmium plating

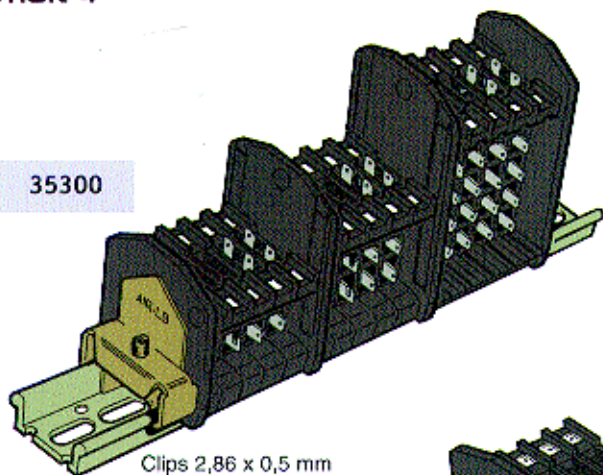


# "BJL" FASTON TERMINAL BLOCKS

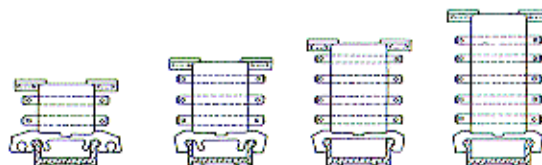
- Faston connections for crimp cable clips.
- Snap-on assembly on a metallic rail type ② - Snap-off disassembly without special tools.
- Available for standardized clipd 2,86 - 4,75 - 5,00 - and 6,35 mm, combined with other connections such as wire wrap, solder, wire wrap, with or without components.

## SECTION 4\*

35300

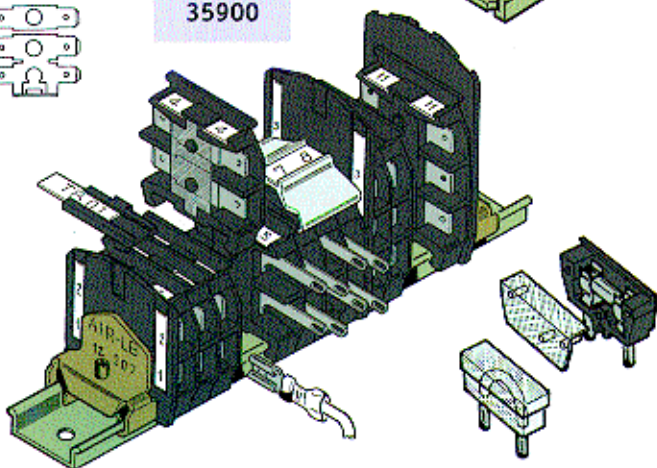
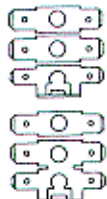


Clips 2,86 x 0,5 mm



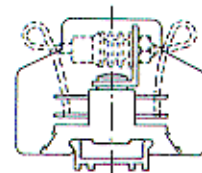
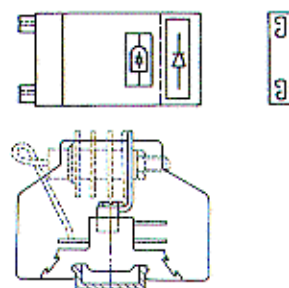
Type ② rail

35800  
35900

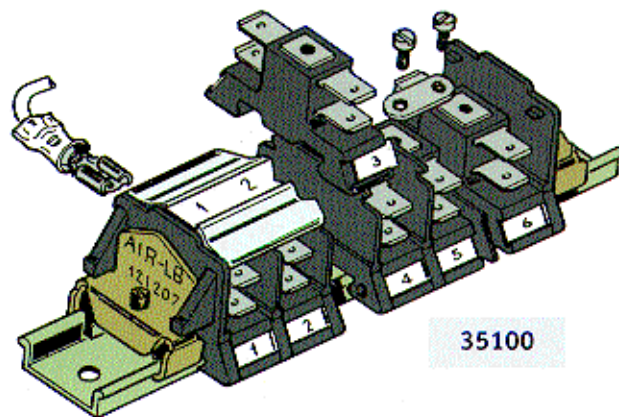


Clips 4,75 - 5,00 - 6,35 mm

35120



35100



Maximum voltage of different models can only be guaranteed when the clip is pre-insulated or has a retractable sleeve.

## TECHNICAL DATA

### INSULATION:

- Thermoplastic polyamide type 11 - translucent  
Temperature : -40°C +80°C
- Thermoplastic polyamide type 6.6 - black  
Temperature : -40°C +100°C

PERMISSIBLE SECTION : 1,5 mm<sup>2</sup> to 6 mm<sup>2</sup>

CURRENT CARRYING CAPACITY : 5 A to 35 A



295 Kesmark  
Dollard-des-Ormeaux,  
Quebec, Canada H9B 3J1  
Tel.: (514) 421-2153  
Fax: (514) 421-3408  
www.air-lb.ca

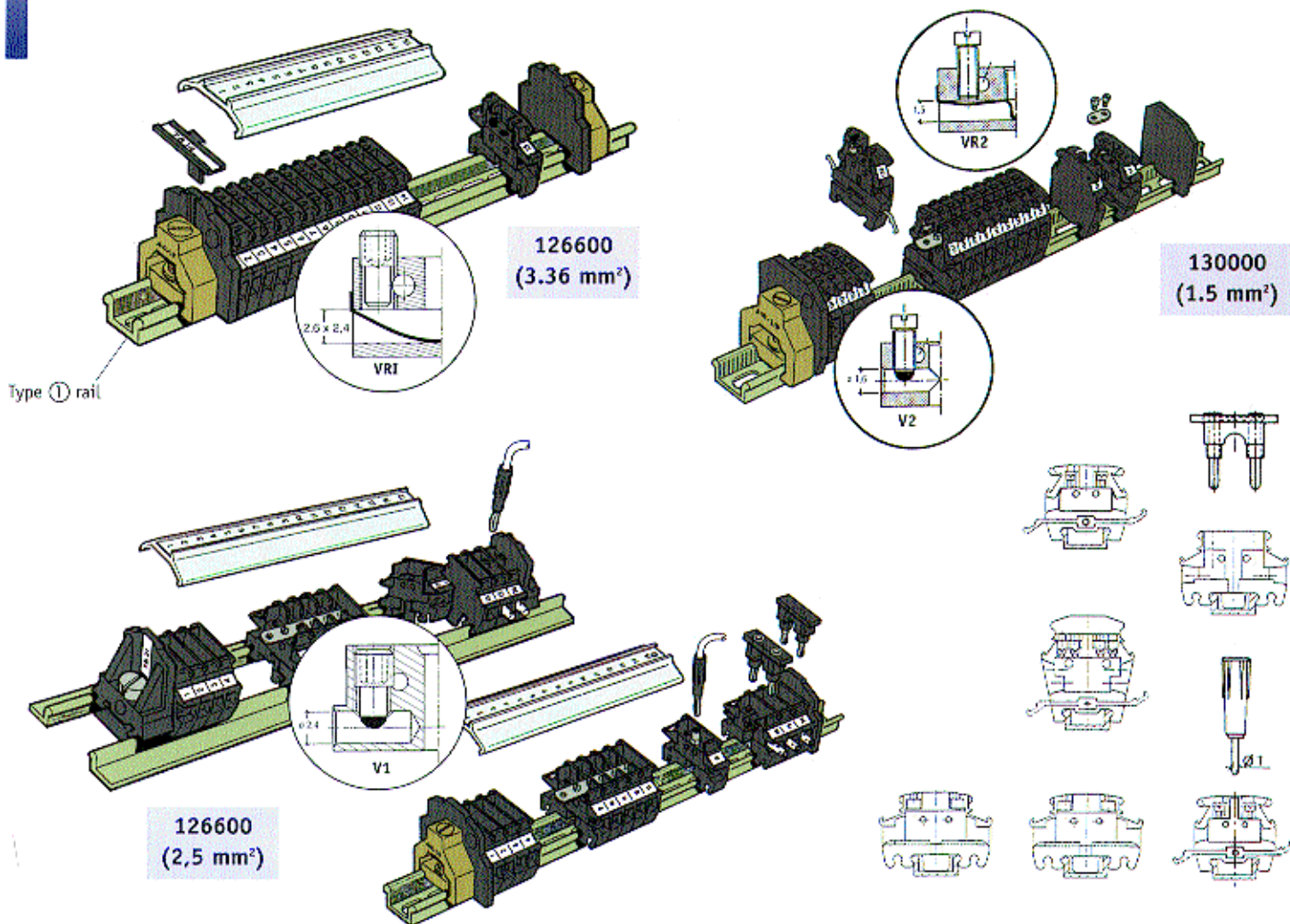


# "BJV" SCREW TERMINAL BLOCKS

- Screw assembly within a metallic terminal.
- Snap-on assembly on a metallic rail type ① or ②, snap-off disassembly without special tools.
- Available in several versions of screw assemblies:
  - Directly with the screw within the terminal
  - Indirectly with a terminal end or metal strip placed between the screw and the terminal cable.
  - Combined assemblies with other fixation types, clip tabs, solder, wire wrap, with or without components.

## SECTION 4<sup>°</sup>

### TYPE ① RAIL



### TECHNICAL DATA

#### SCREW INSULATION:

- Thermoplastic polyamide type 11 - translucent  
Temperature : -40°C +80°C
- Thermoplastic polyamide type 6.6 - black  
Temperature : -40°C +100°C

PERMISSIBLE SECTION : 1 mm<sup>2</sup> to 16 mm<sup>2</sup>

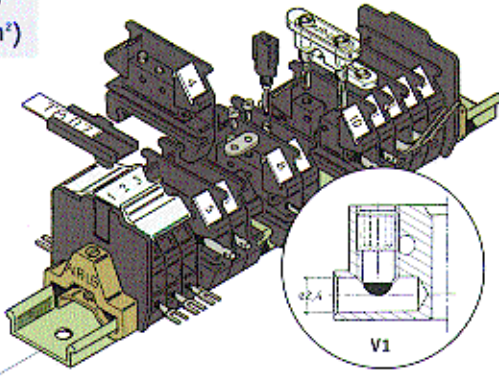
CURRENT CARRYING CAPACITY : 5 A to 25 A



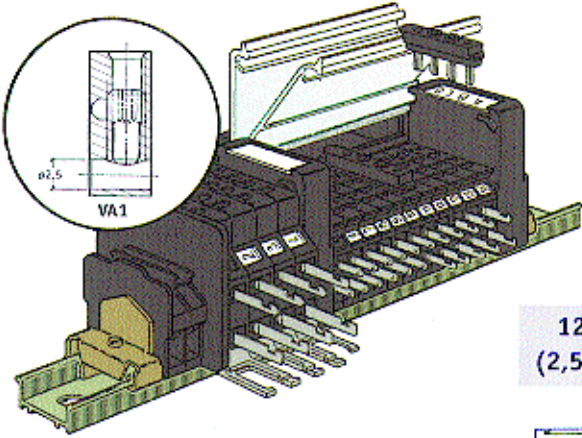
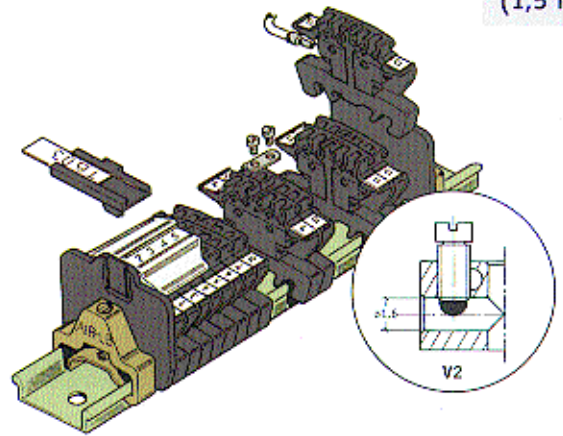
295 Kesmark  
Dollard-des-Ormeaux,  
Quebec, Canada H9B 3J1  
Tel.: (514) 421-2153  
Fax: (514) 421-3408  
[www.air-lb.ca](http://www.air-lb.ca)

12600  
(2,5 mm<sup>2</sup>)

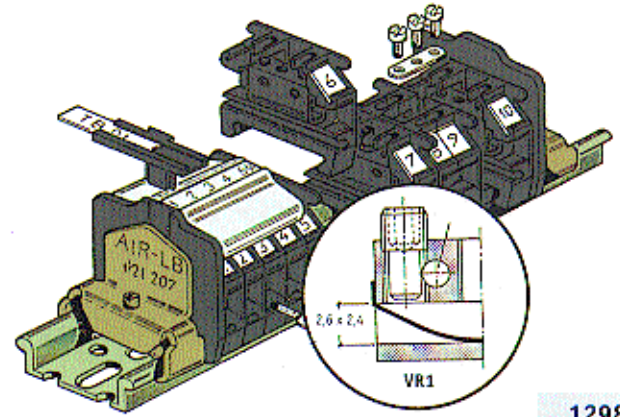
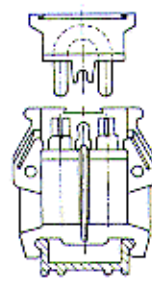
Type ② rail



130300  
(1,5 mm<sup>2</sup>)

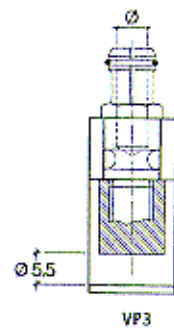
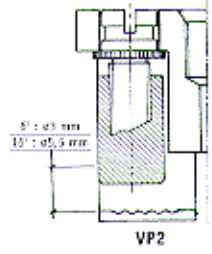
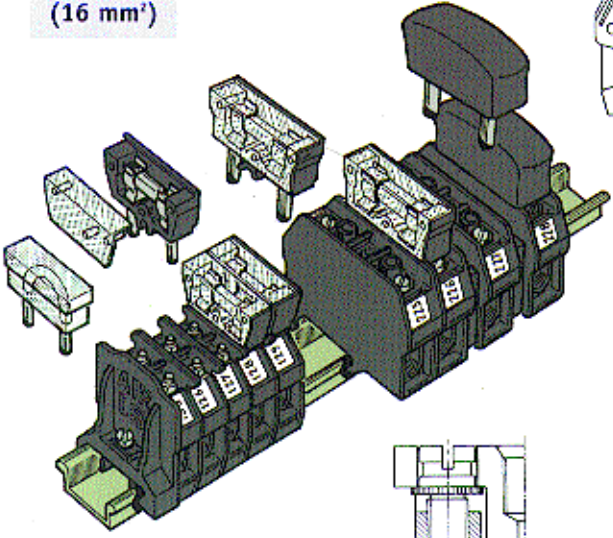


12900  
(2,5 mm<sup>2</sup>)

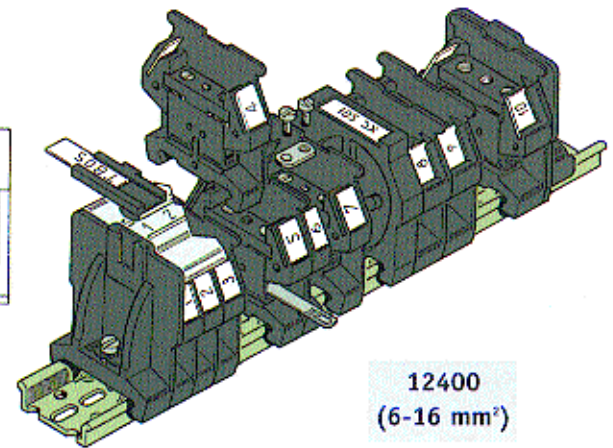


129800  
(3,36 mm<sup>2</sup>)

12500  
(16 mm<sup>2</sup>)



12400  
(6-16 mm<sup>2</sup>)



The surface treatment of metallic terminals varies according to environmental conditions and the type of connections.