

RJ FIELD

ETHERNET CONNECTION SYSTEM FOR HARSH ENVIRONMENT



Amphenol has launched a new industrial Ethernet connector range for harsh environment Ethernet

The RJ Field allows users to transform any standard RJ45 cordset into an environmental IP67 connector without any cabling operation and with no special tools.

The RJ Field is available in a large range of mating configurations (bayonet, thread, push pull) with metallic or plastic shells.

Applications include factory automation, video control, embedded computers, military and navy equipments.



Plastic shell - Push-Pull coupling system

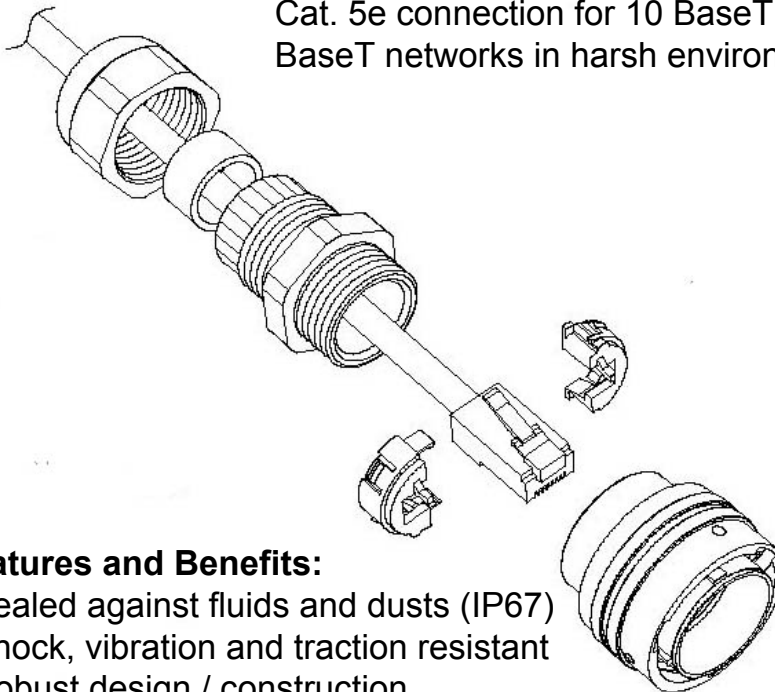


Metallic shell - Thread coupling Based on MIL DTL 38999 series III



Metallic shell - Bayonet coupling Based on MIL C 26482

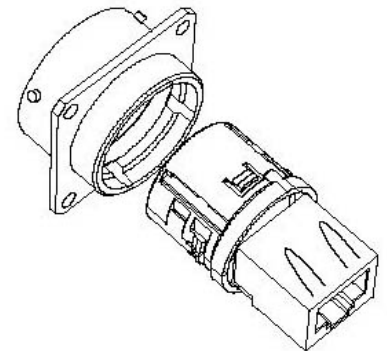
The RJ Field allows you to use an Ethernet Class D / Cat. 5e connection for 10 BaseT, 100 BaseTX or 1000 BaseT networks in harsh environments.



RJF awarded "Best Automatic Control Component"

Features and Benefits:

- Sealed against fluids and dusts (IP67)
- Shock, vibration and traction resistant
- Robust design / construction
- Mechanical coding / polarization (4 positions)
- No tools and no field termination
- Improved EMI protection



Drawings, Video, 3D Models and Assembly Instructions:

- Come and visit us on <http://www.RJField.com>