



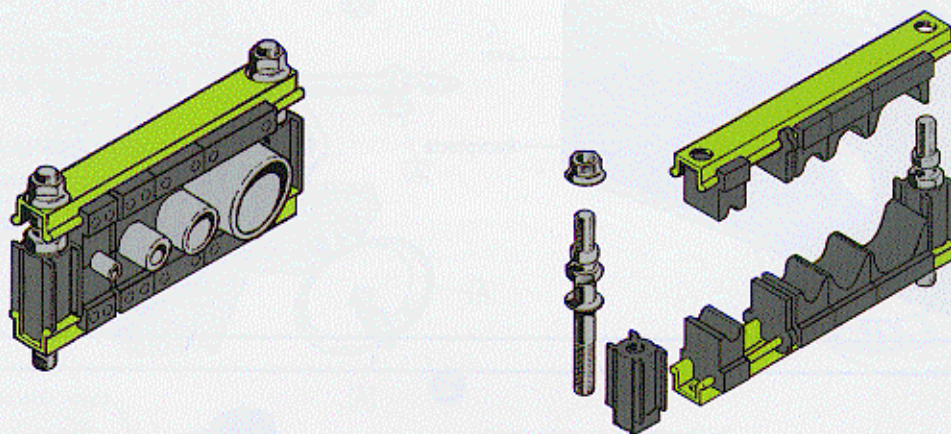
PIPE SUPPORTS

- AIR LB, specialist in designing and manufacturing aircraft MODULAR and MONOBLOCK pipe supports for the last 40 years, introduces its range of products.
- Conducting and non-conducting supports.

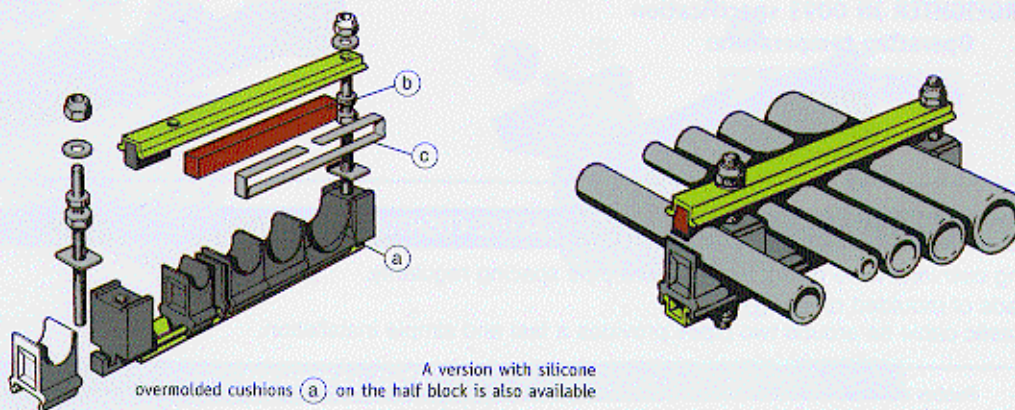
SECTION 8[°]

MOUNTING STRUCTURE - SCREW - RIVET - GLUE

- **AXIAL ALIGNMENT** - 4 mm Ø to 32 mm Ø - 3/16" Ø to 1 1/4" Ø pipes.
This type of PIPE SUPPORTS includes 2 symmetrical fairleads with half clamps, mounted on a metallic rail with metallic end stops limiting the pipe tightening torque and holding without clamp. With or without pipe grounding.



- **TANGENTIAL ALIGNMENT** - 4 mm Ø to 32 mm Ø - 3/16" Ø to 1 1/4" Ø pipes.
This type of PIPE SUPPORTS includes one fairlead with half clamps, a cover with a silicone profile, mounted on a metallic rail with end stops with metallic pipes, limiting the pipe tightening torque. With or without pipe grounding (c).



TECHNICAL DATA

OPERATING TEMPERATURE : -40°C +100°C
 HALF-CLAMPS : Polyamide 6.6
 RAIL : Anodized aluminium

GROUNDING BAND : (c) Alodine aluminium 1200
 PROFILE BAND : (b) Silicone MIL-R-25988, TYPE II, Class I, Grade 60
 SCREW : Cadmium plated steel



295 Kesmark
 Dollard-des-Ormeaux,
 Quebec, Canada H9B 3J1
Tel.: (514) 421-2153
Fax: (514) 421-3408
www.air-lb.ca

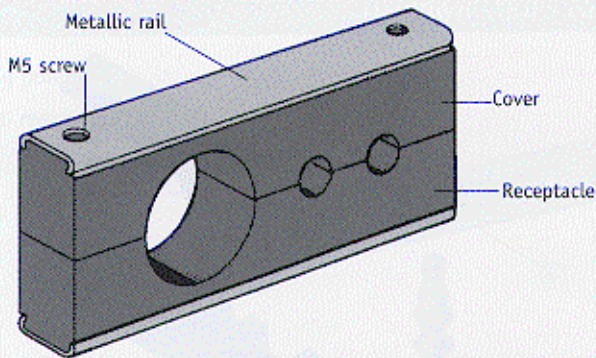
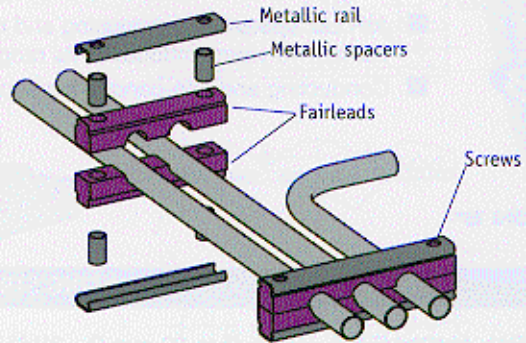
MONOBLOCK PIPE SUPPORTS

- Monoblock fairlead pipe support to customer's requirement:
 - two symmetrical moulded half-fairlead monoblocks;

- two protected metallic rails;
- four metallic spacers limiting the pipe tightening torque
- Aircraft fluid resistant

POLYMERE FAIRLEADS PIPES .25 Ø to 1.000 Ø

Mauve polymer in conformity with MIL-C-85022/2
Operating temperature:
-55°C +135°C

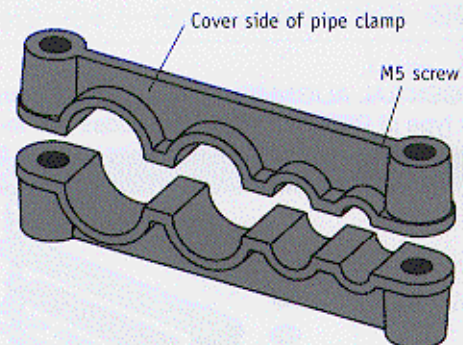


"NITRILE" PIPE CLAMPS PIPES 5 mm Ø to 28 mm Ø

PAN 4231 "PANAVIA" Standard
Operating temperature:
-20°C + 120°C

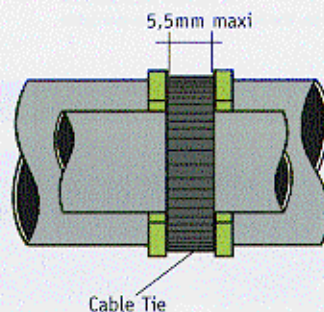
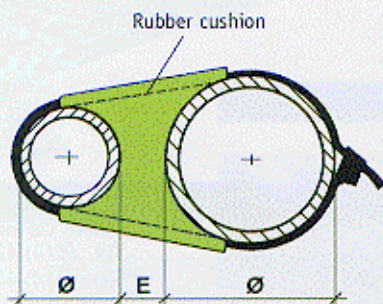
PIPE CLAMP 97100 "ULTEM 500" PIPES 6 mm Ø to 28 mm Ø

EUROFIGHTER JN 0093 specification
Operating temperature:
-55°C +150°C



BREACING CUSHION

- AIR LB bracing cushions were designed to assure pipe spacing regularity.
 - They are made of moulded rubber ① and ②.
 - A binding plastic cable tie around two pipes provides a fast and simple installation.



① Ethylene propylene class 41
In conformity with NFL 17 - 141 A
Hardness: 80 IRHD
(International rubber hardness degree)
PIPES: 6 mm ø to 40 mm ø
Operating temperature: -50°C +90°C

② Polychloroprene class 31
In conformity with NFL 17-131
Hardness: 80 IRHD
(International rubber hardness degree)
PIPES: 6 mm ø to 40 mm ø
Operating temperature: -50°C +90°C