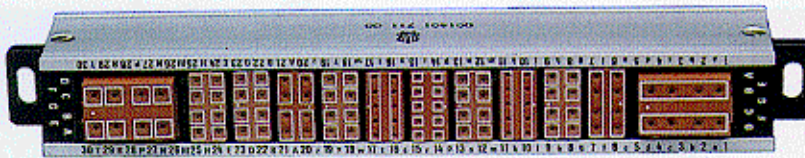




# TERMINAL JUNCTION MODULES WITH FAST AND SEALED TERMINATIONS TYPE 1400

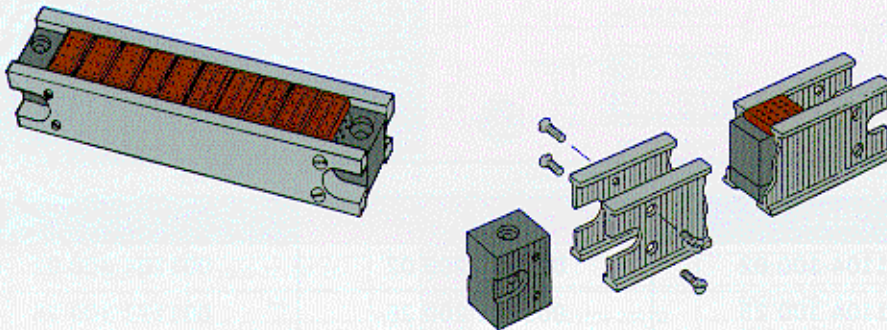
## SECTION 1<sup>a</sup>

- Modular monoblock rails NAS -1749 which are the subject of extended standards UTE/NF C 93-462 - Model HL 102 and PAN 6450 - 6451
- Wired with standardized tools.
- Crimp contacts Ⓢ sizes 22 - 20 - 16, from AWG Gauge 26 to 16. UTE/NF L 53-105 - NAS 1749 - EN 3155-016 Standards.
- Monoblock rails for 2 to 15 feedback modules and 2 to 15 through modules.
- Modules are retained between 2 metallic rails with an end stop at each extremity which secure the modules on the structure.
- Sealing is assured by a patented overmoulded grommet.
- Contact points are found on each side of the rail, facing the rows of module contacts.
- Contact layouts are indicated with a white line symbolizing electrical circuits.
- Numerous interconnection schematics available in all sizes .

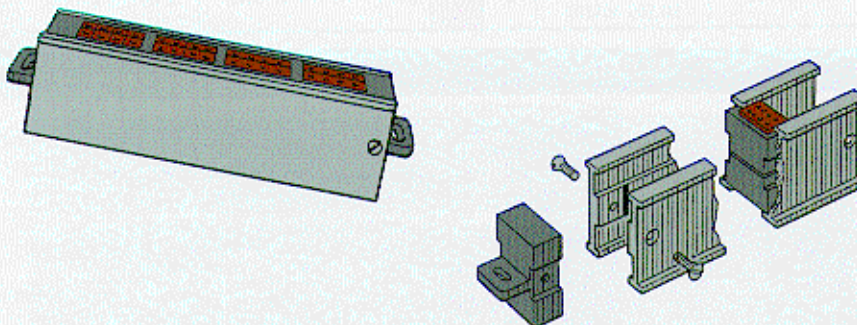


Type 1100 designed and manufactured by AIR LB was the subject of UTE/NF C 93-462 model HL 102 Standard

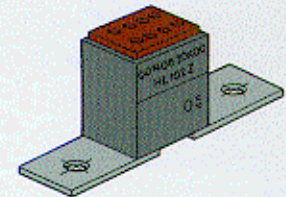
### FEEDBACK MODULES



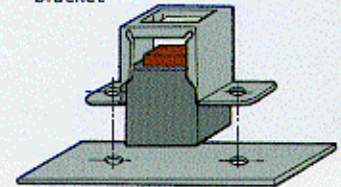
### THROUGH MODULES



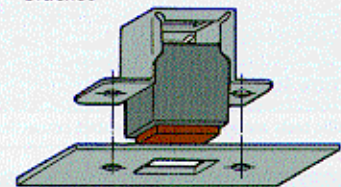
### GROUNDING MODULE



On panel mounting bracket



Under panel mounting bracket



295 Kesmark  
Dollard-des-Ormeaux,  
Quebec, Canada H9B 3J1  
Tel.: (514) 421-2153  
Fax: (514) 421-3408  
[www.air-lb.ca](http://www.air-lb.ca)

## FEEDBACK MODULES suitable for sizes 22 - 20 - 16 contacts

10 Contacts – Size 22 6,25 g. - H 19,1 (17,5 x 10)		8 Contacts – Size 20 6,25 g. - H 19,1 (17,5 x 10)		8 Contacts – Size 16 16,5 g. - H 20,4 (17,5 x 24,9)	
001405 101 00	001405 104 00	001405 201 00	001405 204 00	001405 301 00	001405 304 00
001405 102 00	001405 105 00	001405 202 00	001405 205 00	001405 302 00	001405 305 00
001405 103 00	001405 106 00	001405 203 00	001405 206 00	001405 303 00	

## THROUGH MODULES suitable for sizes 22 - 20 -16 contacts

10 Contacts – Size 22 15 g. - H 33,3 (20,1 x 10)	8 Contacts – Size 20 12 g. - H 33,3 (20,1 x 10)		8 Contacts – Size 16 31 g. - H 38,5 (20,1 x 25)
001440 101 00	001440 201 00		001440 30100
001440 102 00	001440 202 00		001440 302 00
001440 103 00	001440 203 00		001440 30300

	SIZE 22	SIZE 20	SIZE 16
CRIMP CONTACTS ®	001104 100 02	001104 200 02	001104 300 02
INSERTION / EXTRACTION TOOLS*	001104 100 25	001112 200 25	001112 300 25
SEALING PLUG	001109 100 38	001109 200 42	001109 300 40
TESTING TOOL	001111 100 02	001111 200 02	001111 300 02

\*Metallic tools are also available (contact connection colours)

## TECHNICAL DATA

### MECHANICAL

Module	Material	:	Thermoplastic
Grommet	Material	:	Fluorinated elastomer
Contact	Material	:	Copper alloy
	Protection	:	Gold on nickel
Contact retention		:	size 22 : 5,4 daN
		:	size 20 : 8,9 daN
		:	size 16 : 11,4 daN

### CLIMATIC

Operating temperature	:	-55°C +175°C
-----------------------	---	--------------

### FLUID RESISTANCE

Resistance	:	In conformity with NF C 93-462 - MIL-H-5606 MIL-L-7808 following MIL-C-26482 C, NAS 1748
Sealing	:	IP 66 with suitable wire Ø.

### ELECTRICAL

Size	Section mm <sup>2</sup>	AWG	Current rating
22	0,15-0,38	22-24-26	5A
20	0,21-0,93	18-20-22-24	7,5 A
16	0,60-1,34	16-18-20	13 A

DIELECTRIC WITHSTANDING VOLTAGE	:	2 000 Vrms
---------------------------------	---	------------