

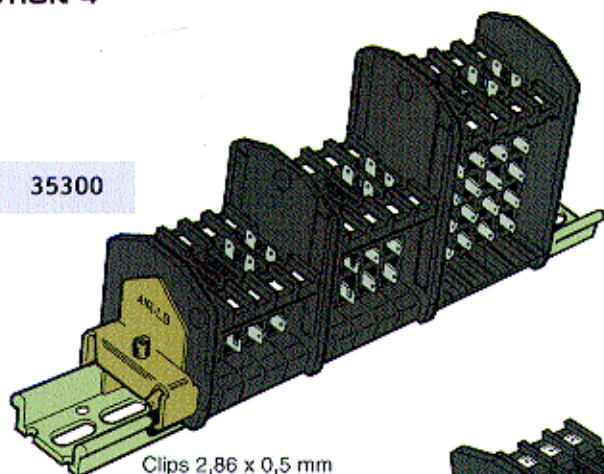


# "BJL" FASTON TERMINAL BLOCKS

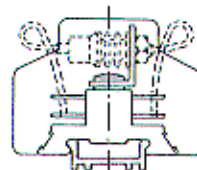
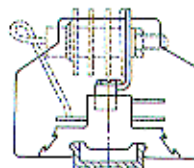
- Faston connections for crimp cable clips.
- Snap-on assembly on a metallic rail type ② - Snap-off disassembly without special tools.
- Available for standardized clipd 2,86 - 4,75 - 5,00 - and 6,35 mm, combined with other connections such as wire wrap, solder, wire wrap, with or without components.

## SECTION 4\*

35300



Clips 2,86 x 0,5 mm



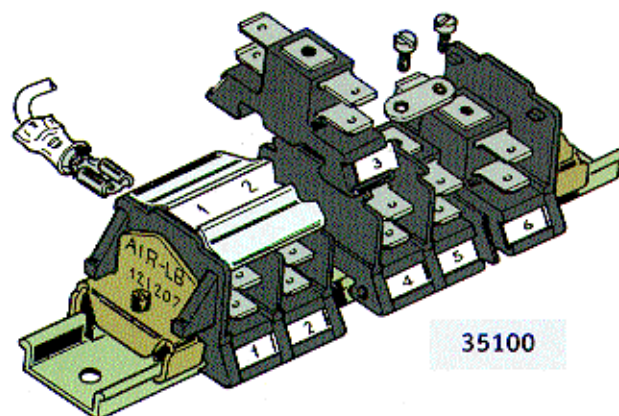
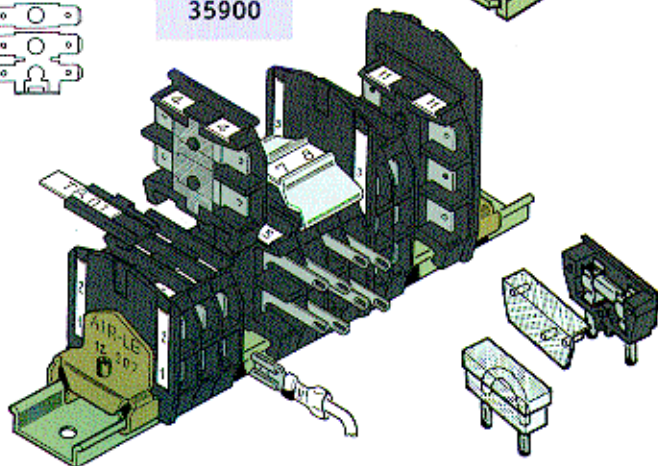
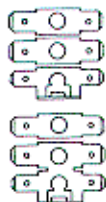
35120

Type ② rail

Clips 4,75 - 5,00 - 6,35 mm

35800

35900



35100

Maximum voltage of different models can only be guaranteed when the clip is pre-insulated or has a retractable sleeve.

## TECHNICAL DATA

### INSULATION:

- Thermoplastic polyamide type 11 - translucide  
Temperature : -40°C +80°C
- Thermoplastic polyamide type 6.6 - black  
Temperature : -40°C +100°C

PERMISSIBLE SECTION : 1,5 mm<sup>2</sup> to 6 mm<sup>2</sup>

CURRENT CARRYING CAPACITY : 5 A to 35 A



295 Kesmark  
Dollard-des-Ormeaux,  
Quebec, Canada H9B 3J1  
Tel.: (514) 421-2153  
Fax: (514) 421-3408  
www.air-lb.ca