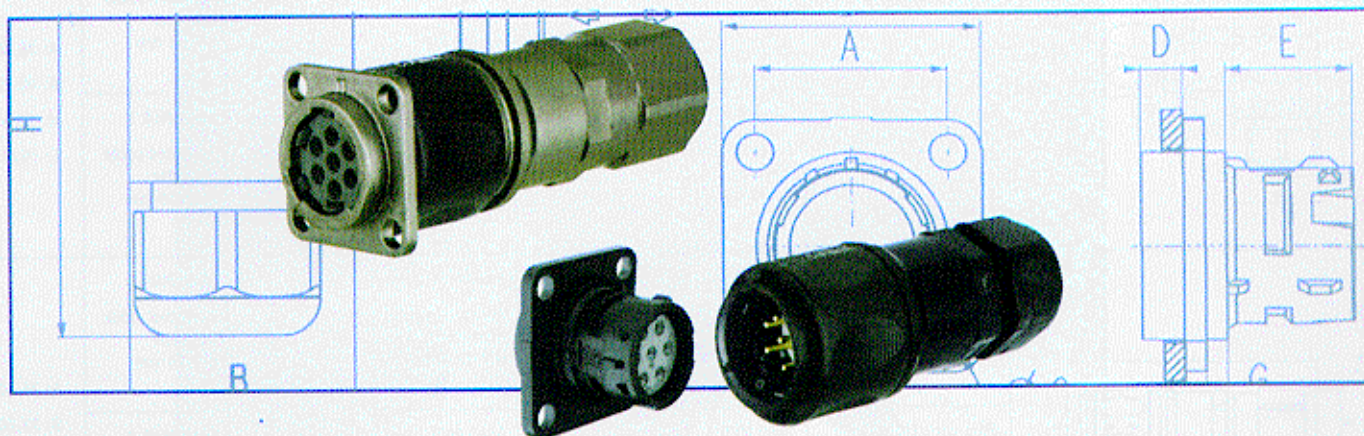




NEW GENERATION OF COMPOSITE CONNECTOR SERIES 544

- Protected and non protected versions against EMI and RFI.
- Important dielectric with grounding contact.
- Easily assembled without tools.
- Quick wiring with active contact locking.
- Innovative Push-Pull locking.
- In conformity with IEC 48B/560/CD and VDE0627 Standards.
- Value for money.

SECTION 5*



- 3 shell sizes made of glass reinforced composite materials (UL94 VO), protected and non-protected against EMI and RFI.
- 11 contact layouts (from 3 to 27 contacts for 5A to 23 A).
- Crimp or solder cup contacts.
- Screw-machined or precision formed contacts, on a reel or bagged.
- Straight or right angle backshell in conformity with IP 67.


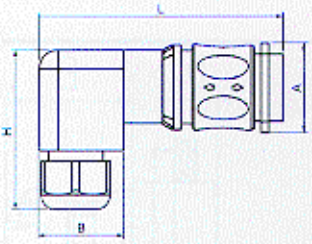
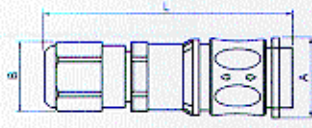
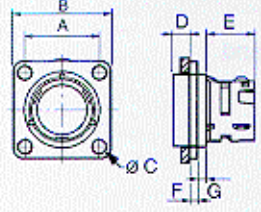
Three versions

- 5440 Glass reinforced composite, non conducting.
- 5441 Glass reinforced composite, metallized, with grounded shell.
- 5442 Glass reinforced composite, metallized, without grounded shell.



295 Kesmark
Dollard-des-Ormeaux,
Quebec, Canada H9B 3J1
Tel.: (514) 421-2153
Fax: (514) 421-3408
www.air-lb.ca

SHELL SIZES

Type	Description	1 (PG9)		2 (PG 16)		3 (PG 21)	
	Plug with PG backshell IP 67	5440 MDA 1 Accepted cable diameter ø 2-6 mm	A: 23,20 mm B: 20,70 mm L: 56,50 mm	5440 MDA 2 Accepted cable diameter ø 7-12 mm	A: 30,50 mm B: 29,50 mm L: 61,50 mm	5440 MDA 3 Accepted cable diameter ø 9-16 mm	A: 36,30 mm B: 36,20 mm L: 66,20 mm
	Plug with PG backshell IP 67	5440 MDB 1 Accepted cable diameter ø 4-8 mm		5440 MDB 2 Accepted cable diameter ø 10-14 mm		5440 MDB 3 Accepted cable diameter ø 13-18 mm	
	Plug with elbow and PG backshell IP 67	5440 MCA 1 Accepted cable diameter ø 2-6 mm	A: 23,20 mm B: 23,00 mm L: 58,50 mm	5440 MCA 2 Accepted cable diameter ø 7-12 mm	A: 30,50 mm B: 32,50 mm H: 59,50 mm L: 68,50 mm	5440 MCA 3 Accepted cable diameter ø 9-16 mm	A: 36,30 mm B: 40,00 mm H: 73,00 mm L: 75,00 mm
	Plug with elbow and PG backshell IP 67	5440 MCB 1 Accepted cable diameter ø 4-8 mm		5440 MCB 2 Accepted cable diameter ø 10-14 mm		5440 MCB 3 Accepted cable diameter ø 13-18 mm	
	Plug with EMC backshell IP 67	5440 MVA 1 Accepted cable diameter ø 2-6 mm	A: 23,20 mm B: 20,70 mm L: 69,20 mm	5440 MVA 2 Accepted cable diameter ø 7-12 mm	A: 30,50 mm B: 29,50 mm L: 71,70 mm	5440 MVA 3 Accepted cable diameter ø 9-16 mm	A: 36,30 mm B: 32,20 mm L: 74,70 mm
	Plug with EMC backshell IP 67	5440 MVB 1 Accepted cable diameter ø 4-8 mm		5440 MVB 2 Accepted cable diameter ø 10-14 mm		5440 MVB 3 Accepted cable diameter ø 13-18 mm	
	Receptacle	544 E1	A: 18,26 mm B: 24,50 mm C: 3,50 mm D: 4,00 mm E: 12,00 mm F: 2,00 mm G: 2,00 mm	544 E2	A: 26,61 mm B: 31,00 mm C: 3,50 mm D: 4,50 mm E: 12,00 mm F: 2,00 mm G: 2,00 mm	544 E3	A: 29,36 mm B: 37,00 mm C: 3,50 mm D: 4,00 mm E: 12,00 mm F: 2,00 mm G: 2,00 mm

Shell size	Contact layouts	Number of contacts	X	Contact current capacity (A)	Voltage for pollution degree 1 5440 series
1	-03	3	X	7,5	630
	-05	5	X	7,5	630
	-07	7	X	7,5	630
2	-09	9	X	7,5	630
	-12	12	X	7,5	630
	-19	19	X	7,5	630
	-93	3	X	13,0	800
	-95	5	X	13,0	800
	-03	3	X	23,0	800
	-05	5	X	23,0	800
3	-27	27	X	7,5	630